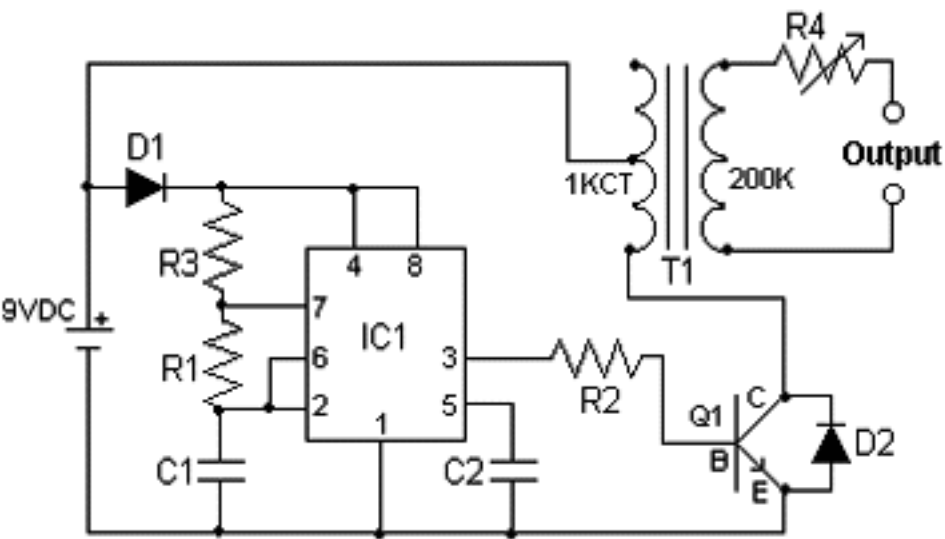


STUN GUN

© 1997 Mark Stoker



Parts:

R1,R2: 1K

R3: 47K

R4: 1M Variable (optional)

C1: 0.1 or 0.47 μ F

C2: 0.01 μ F

D1: 914 or INJ4148

D2: 1N4005

Q1: TIP 31

IC1: 555

T1: Miniature Audio Transformer
200K to 1K CT INPUT